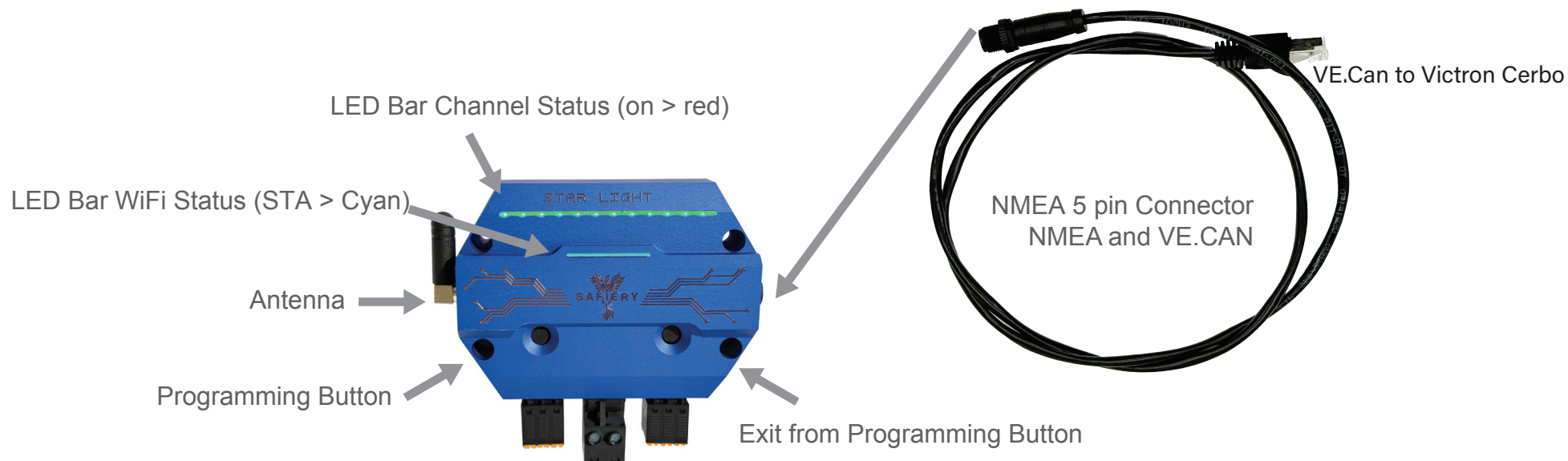


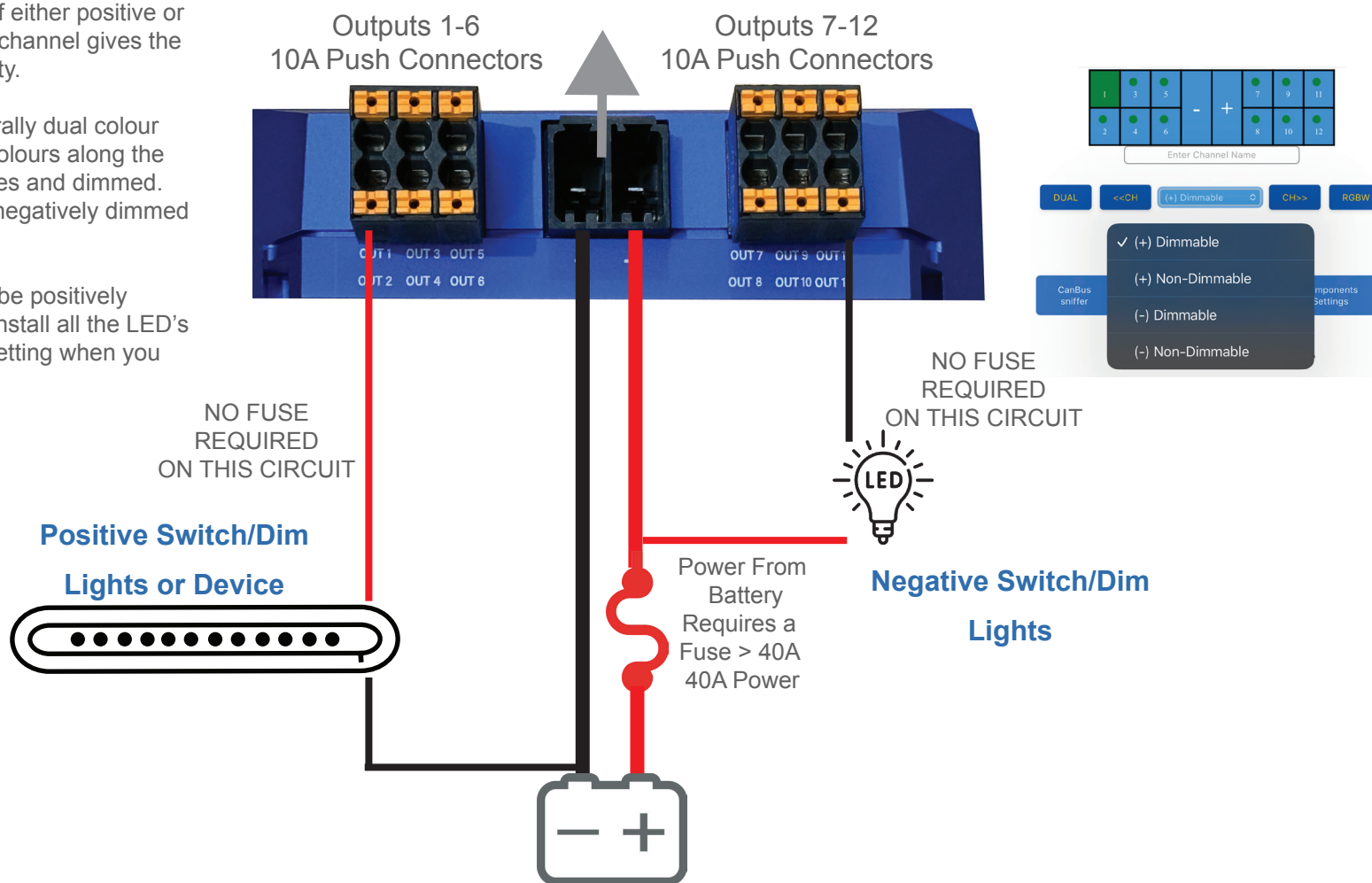
STAR-LIGHT Wiring



This very unique feature of either positive or negative selection on any channel gives the ultimate in installer flexibility.

High end LED's and generally dual colour LED strips that alternate colours along the strip are negatively switches and dimmed. RGBW LEDs are always negatively dimmed and switched.

Individual LED's can then be positively dimmed and switch. Just install all the LED's and change the channel setting when you program. Its that easy.



Outputs Can be Positive + Switch/Dim OR Negative Switch/Dim