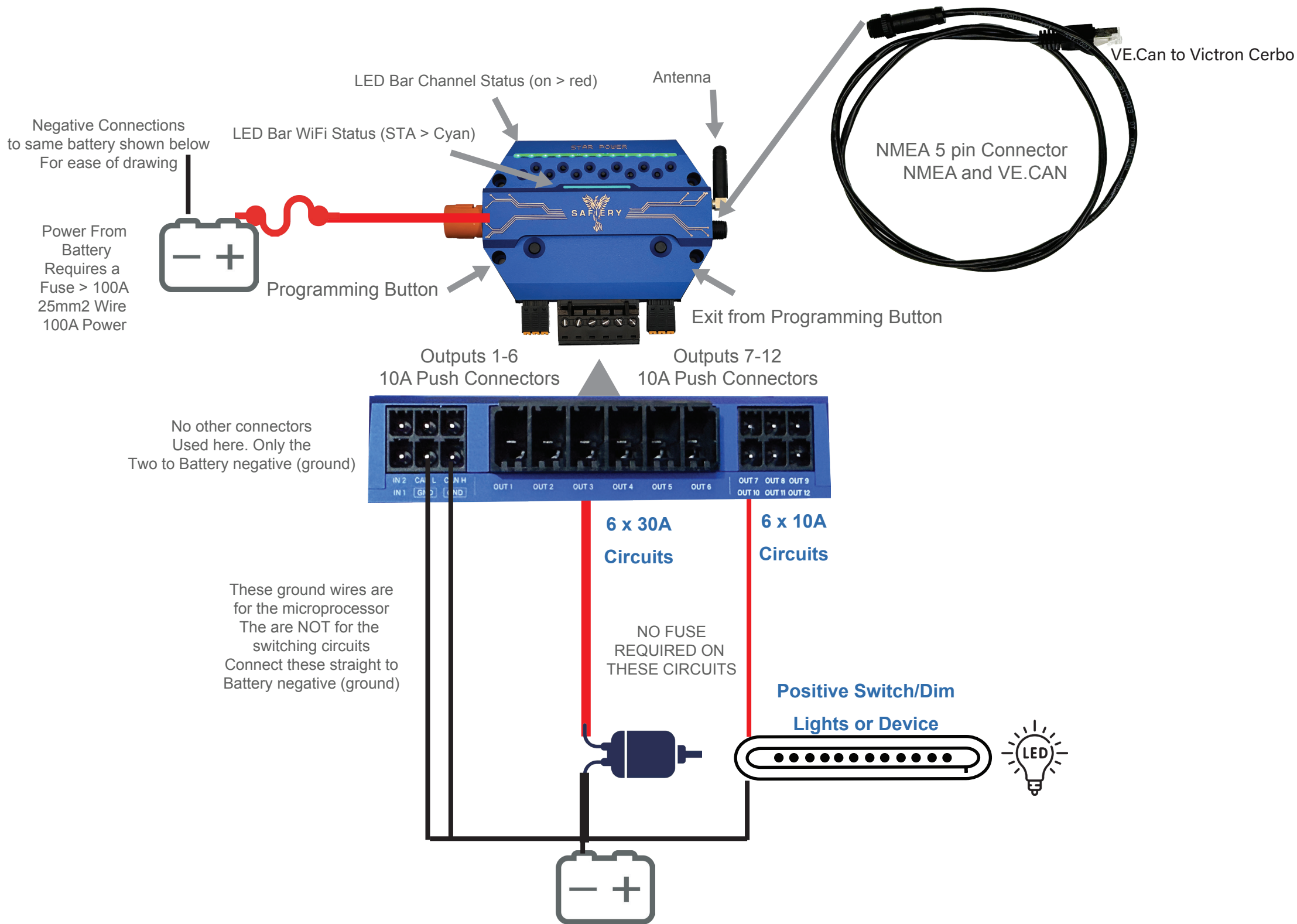


STAR-Power Wiring



These ground wires are for the microprocessor The are NOT for the switching circuits Connect these straight to Battery negative (ground)

Outputs are ALL Positive Switch/Dim